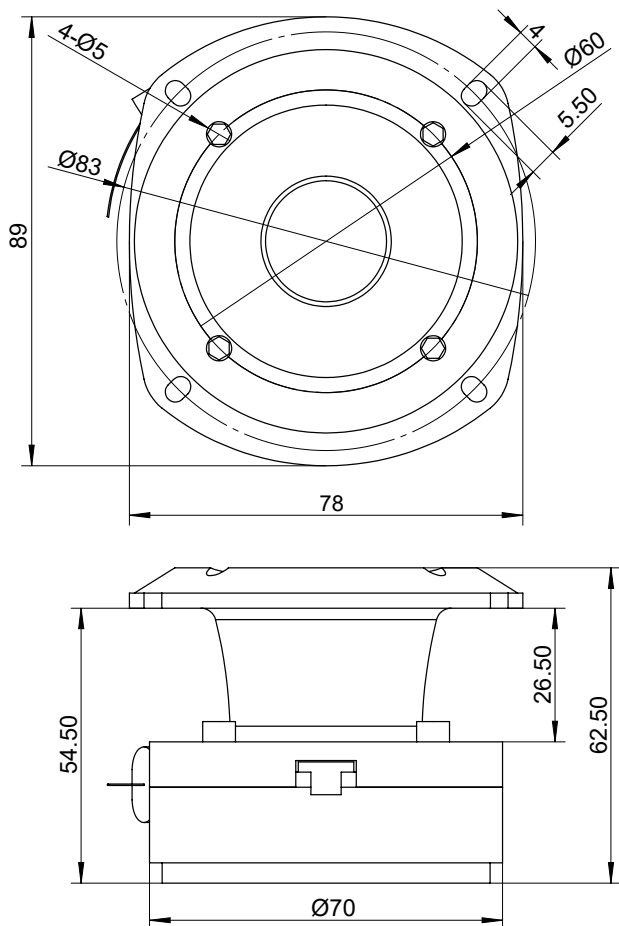




# 60W Titanium Bullet Tweeter Pair

ST603-4



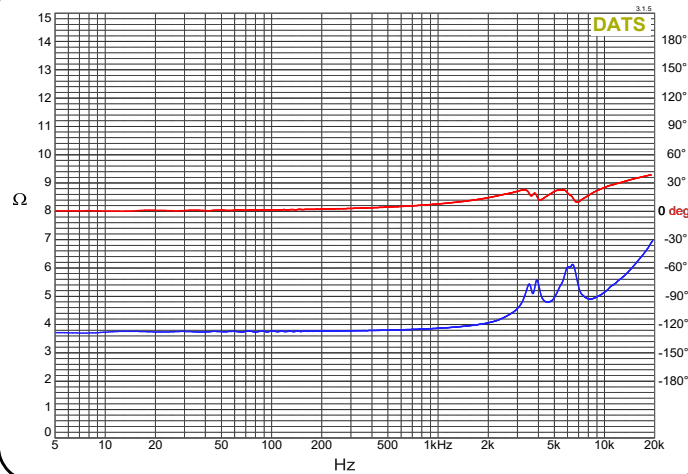
## PARAMETERS

Impedance	4 ohms
Re	3.75 ohms
Le	0.078 mH @ 10kHz
Fs	3,480 Hz
Qms	N/A
Qes	N/A
Qts	N/A
Mms	N/A
Cms	N/A
Sd	N/A
Vd	N/A
BL	N/A
Vas	N/A
Xmax	N/A
VC Diameter	25.4 mm
SPL	106 dB @ 2.83V/1m
RMS Power Handling	60 watts
Usable Frequency Range	5,000 – 20,000 Hz
Recommended Crossover	7kHz

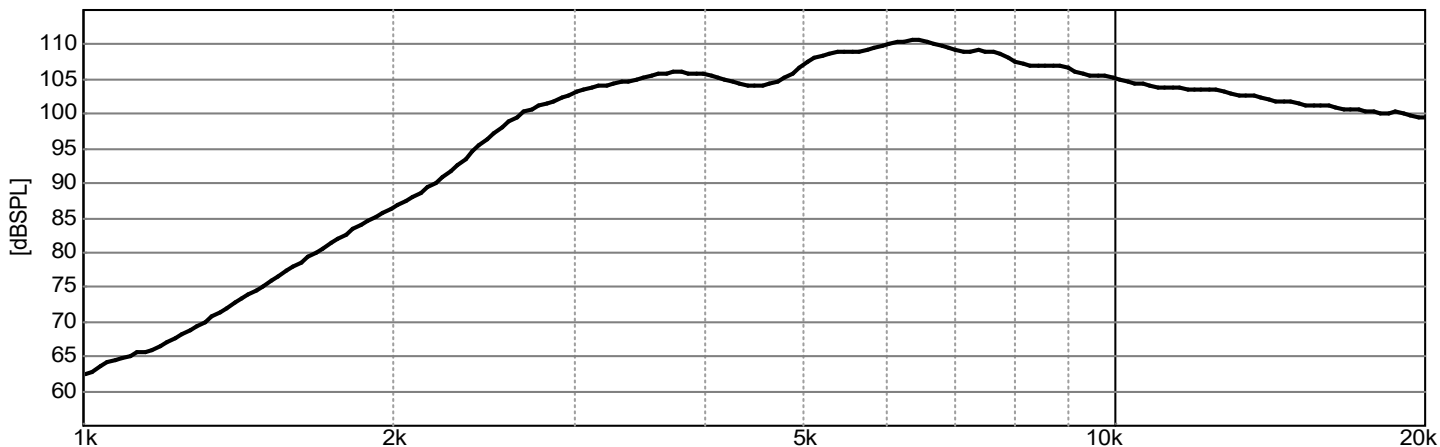
## FEATURES

- High sensitivity output designed for pro audio duty
- 1" titanium diaphragm for a detailed response
- Compact size to fit in the tightest spaces for smaller boxes
- 6,100 Hz crossover point is perfect for 3-way designs
- Easily adds detail to any existing system

## IMPEDANCE/PHASE



## FREQUENCY RESPONSE



OmniMic

Frequency Response -freq [Hz]

Black = 0° (without capacitor)

Note: 1/12th octave smoothing